



TE Series • 10/100 Base-T Single Port Transformer Modules

Features

- Low profile and light weight 10/100 BaseT modules facilitate pick and place compatability and speed of placement
- Meets requirements of IEEE 802.3u and ANSI X3.263
- Consistent and reliable coplanarity
- Excellent quality at extremely competitive price due to high volume production
- Manufactured in ISO-9001 approved Talema facility

Electrical Specifications

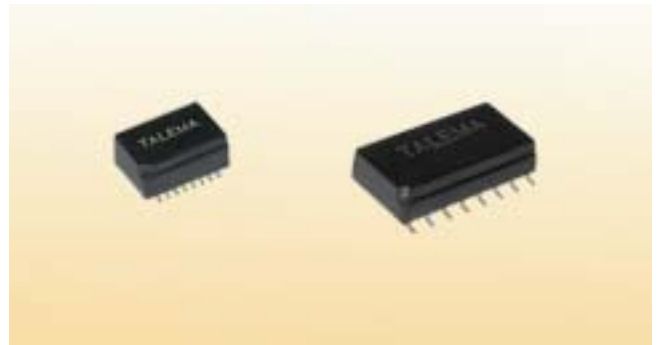
Ratings@ 25°C ambient

Inductance: 350µH minimum @ 100kHz, 100mVrms, 8mA

Minimum isolation voltage: 1500 Vrms

Leakage Inductance: 0.4µH Typ. @ 1MHz

C_{WVW}: 15pF typical



Operating Temperature Range: -40°C to +85°C

Storage Temperature: -45°C to +125°C

Standard packing in either anti-static tubes or in tape and reel

Quality and consistency is guaranteed through 100% testing of the specified parameters for primary inductance, leakage inductance, turns ratio, DC resistance and interwinding capacitance. This ensures that the return loss and pulse wave shape requirements can be fully maintained. Additionally, all parts are tested for 1500V minimum isolation.

Applications

Talema 10/100Base-T transformer modules contain transmit and receive isolation transformers to maintain consistent wave shape and suppression of common mode noise while providing equipment isolation per IEEE 802.3. High impedance common mode quad chokes for additional EMI suppression have been added on some models as required for FCC and CISPR 22 Class B certification.

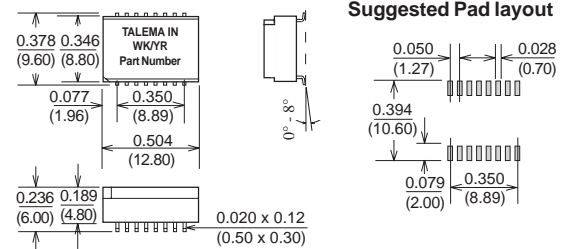
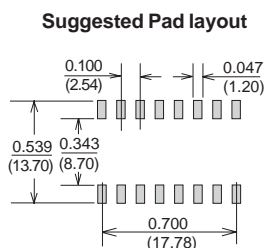
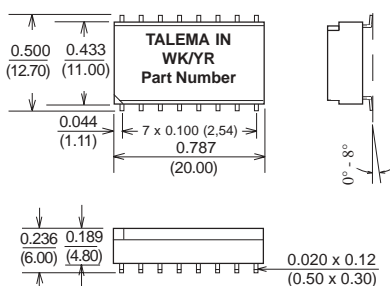
TE Series - 10/100Base-T Single Port Isolation Transformer Modules

Part Number	Turns Ratio (Pri:Sec)		Insertion Loss (dB Max)	Return Loss (dB Min @ 100 Ohm)				Differential to Common Mode Rejection (dB Min)			Crosstalk (dB Typ)			Schematic
	Tx	Rx		0.1 - 100MHz	1-30MHz	40MHz	60MHz	80MHz	30MHz	60MHz	100MHz	30MHz	60MHz	
TE_-300A-J	1ct:1ct	1ct:1ct	-1.0	-20	-20	-18	-14	-42	-36	-33	-50	-40	-40	A
TE_-300B-J	1ct:1ct	1ct:1ct	-1.0	-22	-20	-18	-12	-42	-38	-32	-50	-40	-40	B
TE_-300D-J	1ct:1ct	1ct:1ct	-1.0	-22	-20	-18	-12	-45	-40	-35	-50	-40	-40	D
TE_-304D-J	2ct:1ct	1ct:1ct	-1.1	-20	-20	-14	-11.5	-42	-37	-33	-45	-40	-35	D
TE_-305D-J	1.89ct:1ct	1ct:1ct	-1.1	-18	-16	-14	-12	-30	-30	-30	-35	-35	-35	D
TE_-300E-J	1ct:1ct	1ct:1ct	-1.0	-18	-16	-14	-12	-42	-37	-32	-45	-40	-35	E
TE_-304F-J	2ct:1	1ct:1ct	-1.0	-16	-16	-16	-12	-35	-35	-32	-40	-40	-35	F
TE_-304G-J	2ct:1ct	1:1:1ct	-1.0	-16	-16	-16	-12	-35	-35	-32	-40	-40	-35	G
TE_-300H-J & H1-J	1ct:1ct	1ct:1ct	-1.0	-20	-18	-18	-14	-45	-40	-35	-45	-40	-35	H
TE_-304J-J	2ct:1	1:1:1ct	-1.0	-16	-16	-16	-12	-35	-35	-32	-40	-40	-35	J
TE_-300K-J & K1-J	1ct:1	1ct:1ct	-1.0	-16	-13.4	-11.5	-10	-45	-40	-35	-40	-38	-35	K
TE_-300L-J	1ct:1ct	1ct:1ct	-0.9	-18	-14	-12	-11	-40	-35	-30	-45	-45	-37	L
TE_-300M-J	1ct:1ct	1ct:1ct	-1.0	-20	-17	-17	-14	-40	-40	-40	-40	-40	-40	M
TE_-300N-J	1ct:1ct	1ct:1ct	-1.0	-20	-17	-17	-14	-40	-40	-40	-40	-40	-40	N

TES Module

Package Style

TEM Miniature Module

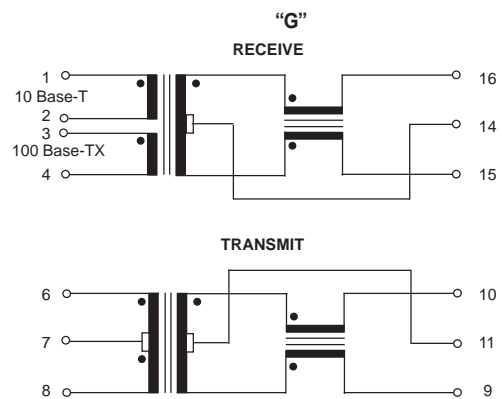
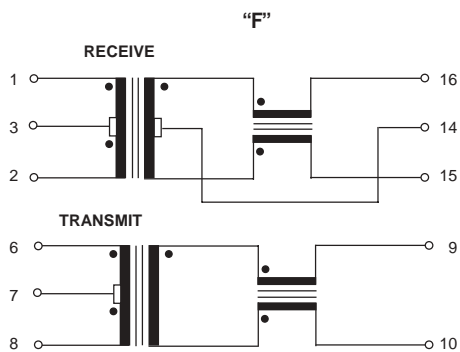
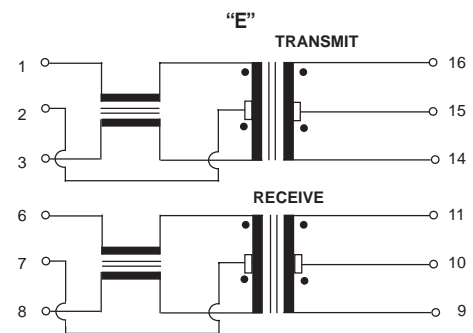
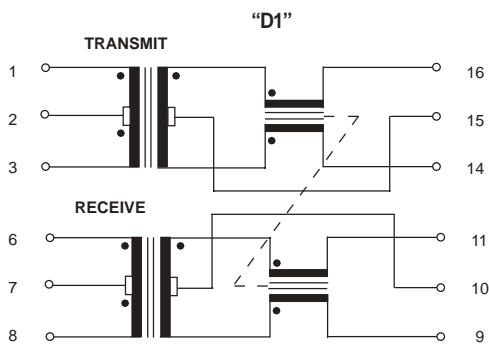
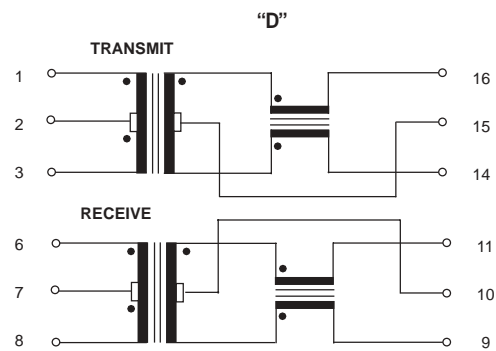
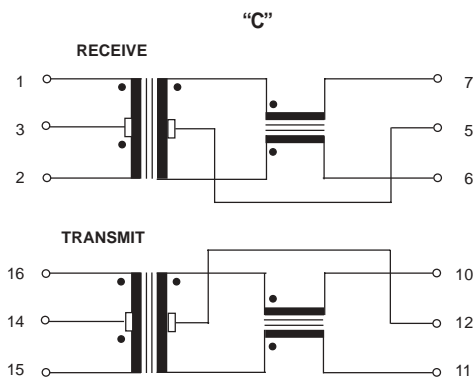
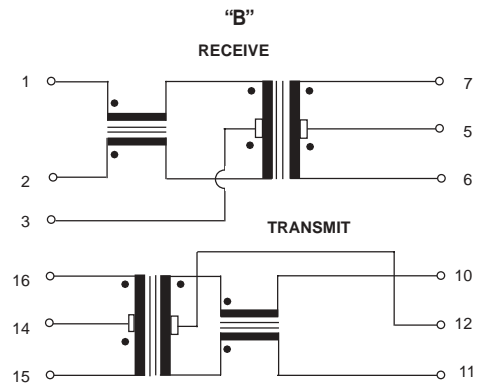
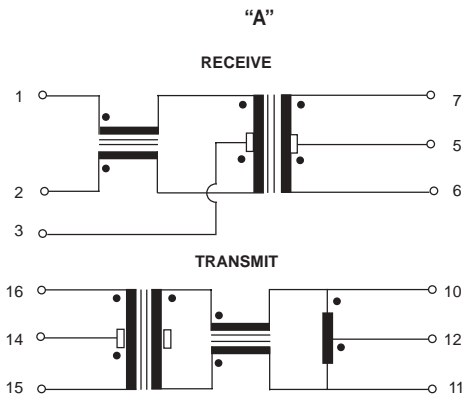


Surface coplanarity will be 0.004 (0.10) maximum

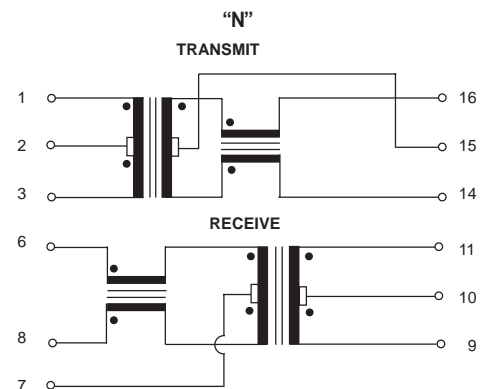
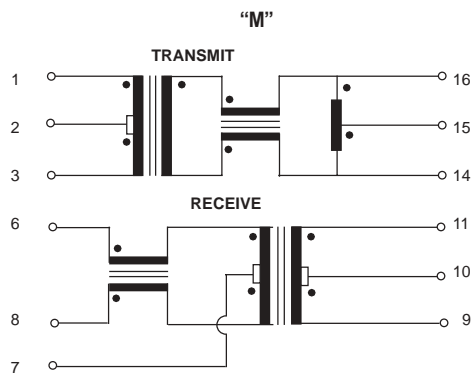
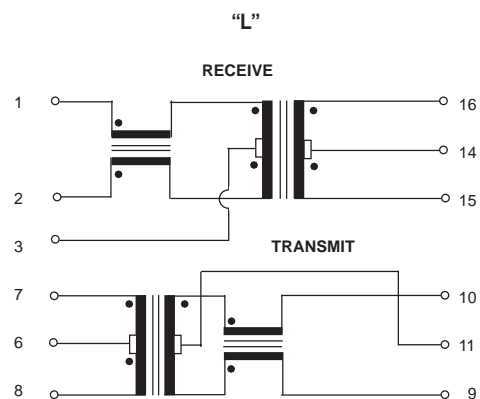
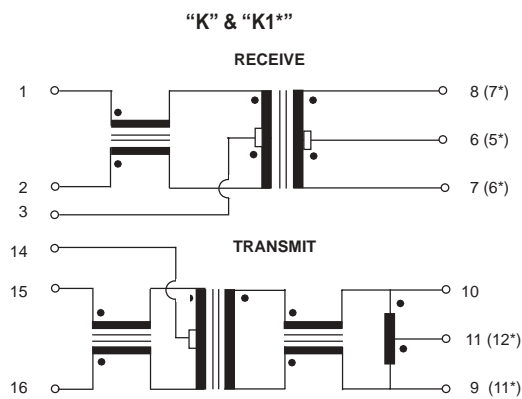
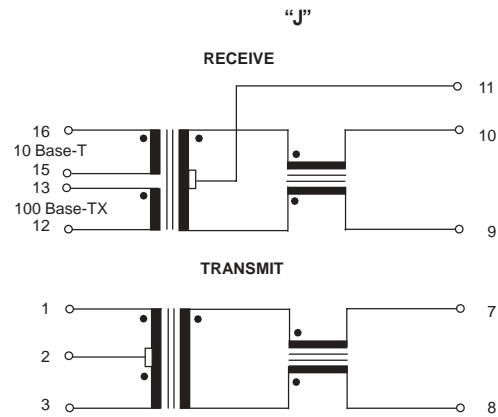
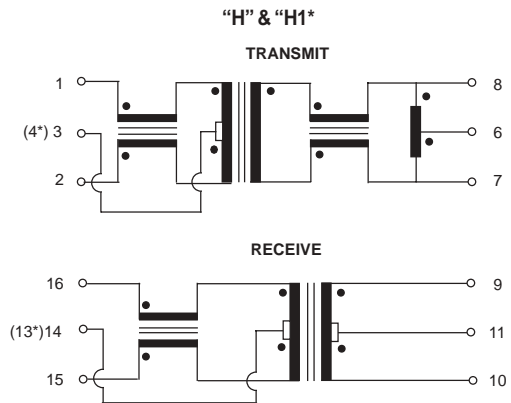
Dimensions: Inches (Millimeters)

Tolerance: ±0.010 (0.25) unless specified otherwise

Schematics • TE Series 10/100Base-T Single Port SMD Transformer Modules



Schematics • TE Series 10/100Base-T Single Port SMD Transformer Modules



Sales & Marketing, Design and Manufacturing Facilities

<http://www.talema-nuvotem.com>

Eastern Europe & Czech Republic

NT MAGNETICS s.r.o.
Chebská 27
322 00 Plzeň
Tel: Int. + 420 37 - 744 9303
Fax: Int. + 420 37 - 744 3697
Email: talema@talema.cz

Germany

TALEMA ELEKTRONIK GMBH
Sembdnerstr. 5, Postfach 2523
82110 Germering
Tel: Int. + 49 89 - 841 00 - 0
Fax: Int. + 49 89 - 841 00 25
Email: info@talema.de

Ireland

NUVOTEM TEO.
Crolly
Co. Donegal
Tel: Int. + 353 74 - 954 8666
Fax: Int. + 353 74 - 954 8139
Email: info@nuvotem.com

India

TALEMA ELECTRONIC PVT. LTD.
Opposite the SIDCO Industrial Estate
Gins Towers
4/5S.H/1, Omalur Main Road
Salem - 636 004, Tamil Nadu
Tel: Int. + 91 427 - 244 1325
Fax: Int. + 91 427 - 243 0034
E-mail: talema@talemaindia.com

Germany: Int.+49 89 - 841 00-0 • Ireland: Int.+35 374 - 954 8666 • Czech Rep: Int.+420 37 - 744 9303 • India: Int.+91 427 - 244 1325
<http://www.talema-nuvotem.com>

(07-03) Communications \ TE-J